

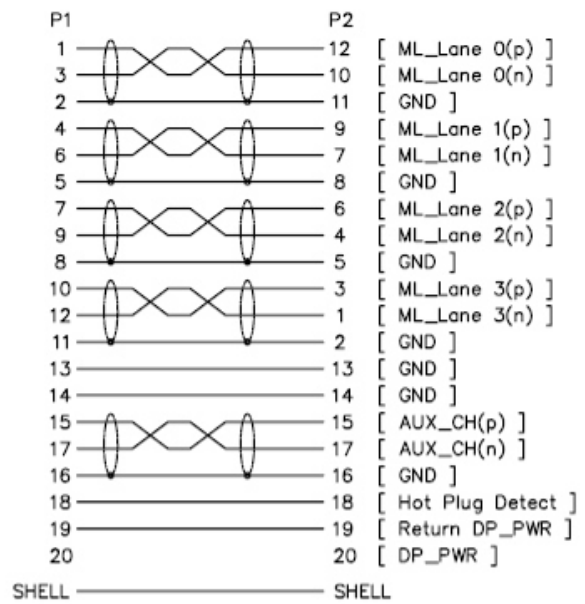
CABLE MARK:
 PureLink PureInstall Series -For Professional Applications Displayport™ Cable

TABLE A

CUSTOMER P/N	LENGTH
PI5000-010	1000±20mm
PI5000-020	2000±30mm
PI5000-030	3000±50mm

ELECTRICAL CHARACTER:
 1. 100% OPEN&SHORT TEST
 2. HI-POT: AC 300V/0.02S/2mA, No break down
 3. Insulation Resistance: DC 300V/0.02S/10 MΩ Min.
 4. Contact Resistance: 1M 1Ω/2M 1.1Ω/3M 1.3Ω Max.

PIN ASSIGNMENT:



NO.	PART NAME	SPEC DESCRIPTION	REMARK
4	OVERMOLD	PVC 70P BLACK UL 94V-0	
3	INNERMOLD	PE LOW DENSITY	
2	CONNECTOR	DISPLAYPORT PLUG CONTACT GOLD 15U" SHELL:PLATE G/F W/LATCH W/COVER BLACK	⚠
1	CABLE	Display Port CABLE UL20276 (28AWG*2C+D+AL+MYLAR) *5C+28AWG*4C+F+MYLAR+ADB OD: 7.3 PVC JACKET BLACK PureLink Marking	⚠

INNERMOLD		TOLERANCE UNLESS SPECIFIED		SCALE		UNIT	
/	/	±	/	NON	mm		
OVERMOLD		DRAWN: 2011.11.30		NAME		SHEET	
		DESIGNER:		Displayport 28AWG Cable		1/1	
		CHECKED:					
		APPROVED:		DRAWING NO.		REV 7.0	